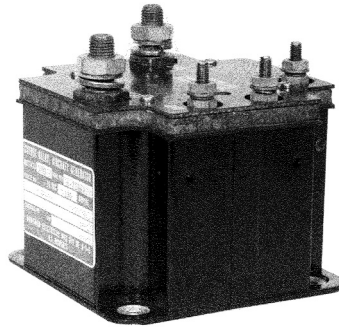


## A-700 Series Cutout — Reverse Current, Rated up to 200 Amps, 28 Vdc

### Product Facts

- SPST NO
- Gasket sealed
- Meets many requirements of MIL-PRF-6106



### Performance Data

#### Electrical Characteristics

- Contact Arrangement** — SPST NO
- Rated Operating Voltage** — 28 Vdc
- Current Rating, Continuous** — 200 Amps
- Current Rating at 15 sec.** — 1,000 Amps
- Current Rating at 1 min.** — 500 Amps
- Current Rating at 5 min.** — 300 Amps
- Interrupting Capacity** — 4,500 Amps
- Reverse Current Setting\*** — 6 to 17 Amps
- Differential Voltage for Pickup** — .85 ± .15 V

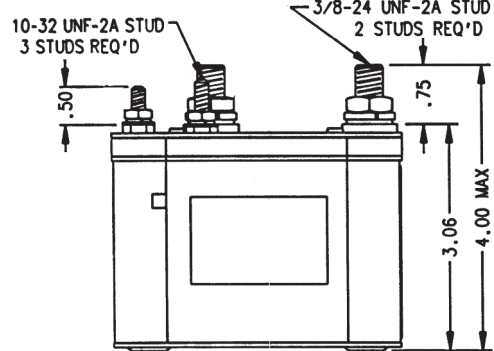
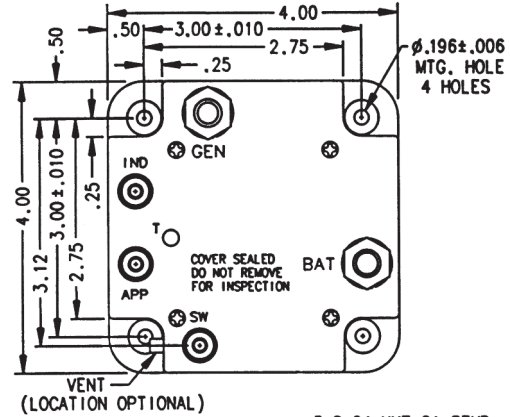
#### General Characteristics

- Temperature Range** — -55°C to +71°C
- Operating Cycles (Life) at Rated Resistive Load, Min.** — 50,000 cycles
- Operating Cycles (Life) Mechanical, Min.** — 100,000 cycles
- Electrical** — 50,000 min.
- Weight, Max.** — 2 lbs 15 oz

#### Coil Characteristics

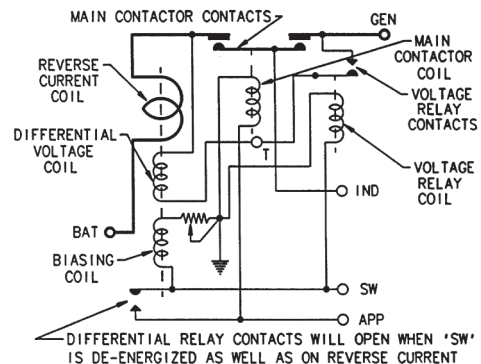
- Duty Cycle** — Continuous

\*Over a Voltage Range of 27.5 ± 2.5 Vdc and Calibrated at 12 ± 1 Amp RC at 28 Vdc & 25°C ± 5°C



Mounting Style A

### Circuit Configurations (Consult factory for other available circuit configurations)



Circuit Configuration 1

For factory-direct application assistance, phone 419-521-9500 or fax 419-526-2749.

HARTMAN Part Number	Construction Type	Mounting Style	Coil Type	Circuit Config.	TE Part Number
A-700AQ-4	Gasket/Vented	A	Continuous	1	1616109-4